



Designed for secure and reliable operation .

Cabinet inner and outer shells and cover are constructed of (14 gauge) 304 stainless steel / No. 4 satin finish.

Arms assembly constructed with 1 5/16" (33mm) diameter, (12 gauge) stainless steel.

1. Features & Benefits :

Mechanism :

- Heavy-duty design for 24 hours continuous application,
- Heavy duty pull type solenoid
- Indoor or outdoor application
- High durability with industrial parts.

Communication :

- Dry contact relay with 12 volt or 24 volt pulse,
- If RS485, or TCP-IP Communication with computer, the access control board needed.

Electro –Magnetic Drive :

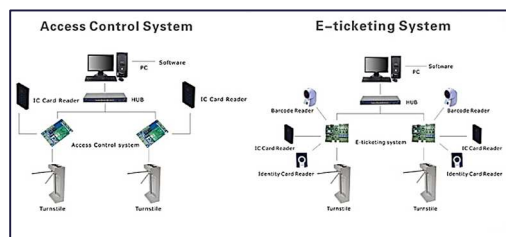
- Three million times or above operation test for electro-magnetic drive,
- Overheat and over load dual protection for electro- magnetic drive.



Others :

- Accurate count inputs to access control for reports.

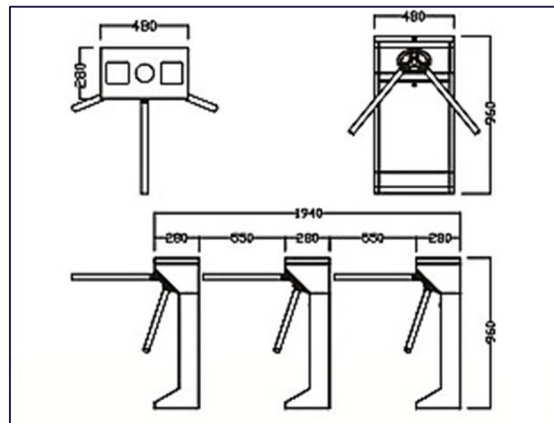
2. Diagram :



3. Terminal Connection :



4. Dimension :



5. Technical Data :

Technical Data	Technical Data	ZT- C228
Passage width	mm	≤ 550
Throughput rate	p/m	35
Power supply	V (ac)	100v ~ 240v
Operational voltage	V (dc)	24
Max power consumption	W	30
frequency	hz	50 ~ 60
Precision level	ip	≥ 44
Working temperature	° C	-25 ~+ 70
Electro magnetic drive		DC
Dimension excluding bars	mm	480 x 280 x 960
Net weight including bars	kg	44