



WTMD-18ZB



Walk-Through Metal Detector

Seventeen Advanced Functions and Features

- ★ Simple and elegant front panel design, 5.5 -inch LCD display , reasonable 4 keys management, easy to operate.
- ★ Patented structural components, and windproof, moistureproof, dustproof design.
- ★ High performance , high sensitivity , high stability, it can detect 4g ferrous metals (flaky landscape) accurately.
- ★ Multi-detection , multi-zone, multi- launch and reception , interactive detection technology .
- ★ Set each zone's sensitivity freely, and it can effectively exclude their own keys, belt buckles, bra, mobile phones and other metal objects.
- ★ High strength thick door made of fireproof board , forming aluminum column structure , after antioxidant treatment , high hardness , no deformation.
- ★ Slant main chassis designed all-metal structure , patented large countersunk head bolts for doors, easy to assemble and stable structure.
- ★ The super brightness SMD double district alarm indicators , multi-angle display the hiding place of prohibited items.
- ★ High-decibel alarm sound speakers, set the size of the alarm sound or be mute according to user's need.
- ★ It can be connected to the Internet, through a single PC and special software , it can manage multiple devices , to meet the need of large-scale activities , events , and users who have to manage multiple devices at a time.
- ★ Able to link external devices such as : three roller gates, wing gates , access control, attendance, and the devices that need to control and register each other.
- ★ With upgrade ports, we provide lifelong upgrade services, it can be achieved the secondary development according to user's need.
- ★ The 3D multi-angle infrared design, can better prevent the interference of strong light, sunlight and other external light (patented technology)
- ★ The unique infrared start-stop technology, better to meet customers' need.
- ★ Full wraparound high booties , double pivot design , and not affected by uneven ground , it can be better to ensure the stability of the door , which has depended beyond the traditional design.
- ★ On each side of the door designed is the power interface, which can better meet the users' needs.
- ★ System with password management techniques.

WTMD-18ZB

Type	2014
Model Number	WTMD-18ZB
Vertical dimension	2240x670x860mm
Vertical channel size	2020x700mm
Main box packing size	755x435x255mm
Detection door packing size	2290x640x220mm
Net weight of main box/detection door	67KG
Gross weight of main box/detection door	75KG
Working voltage	90V~240V 60/50Hz
Power consumption	20W
Working frequency range	-18 brands
Working environment temperature	20-°C ~ 55°C
Installation environment	(W) 100cm* (L) 200cm (minimum range without metal)
Electrical reference EN60950 safety standards	●
Radiation standards reference EN50081-1	●
Anti-interference standard reference EN50082-1	●
National standard strictly enforced (GB15210-2003) through the metal detector door standard	●
Enterprise through the ISO9001:2008 quality management system certification	●
Enterprises through OHSAS18001 occupational health certification	●
Enterprises through the ISO14001 environmental management certification	●
Products through the EU CE certification	●
The precise range of metal can be detected in a zone	Maximum sensitivity \geq 4g metal
Portable metal can be excluded	●
Dual high-brightness red LED display	/
Using 5.5-inch LCD screen	●
Integrated four key panels operation	●
One-button remote control operation mode	○
Multiple network ports	●
External control alarm device port	●

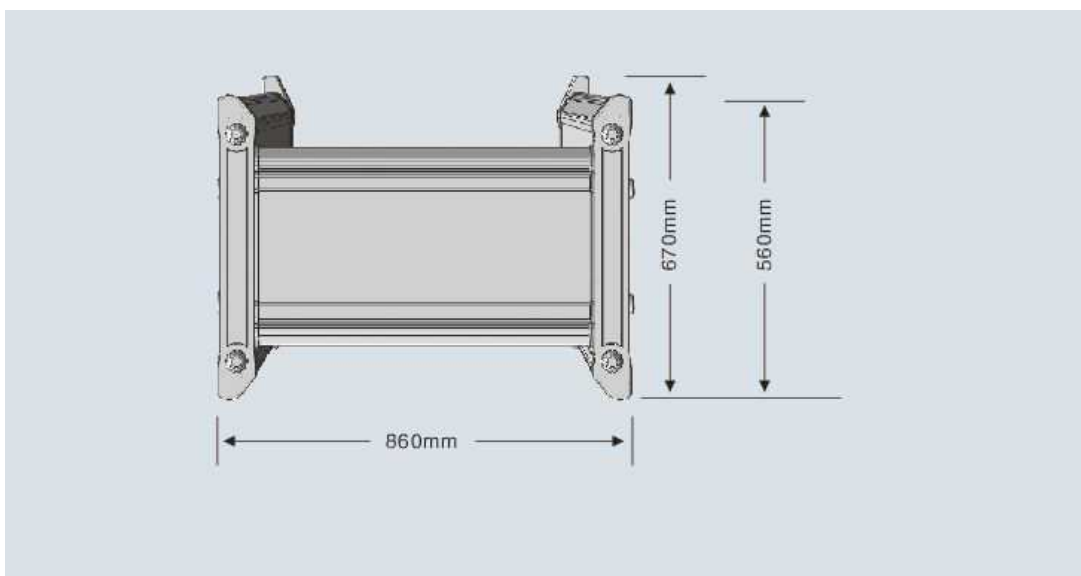
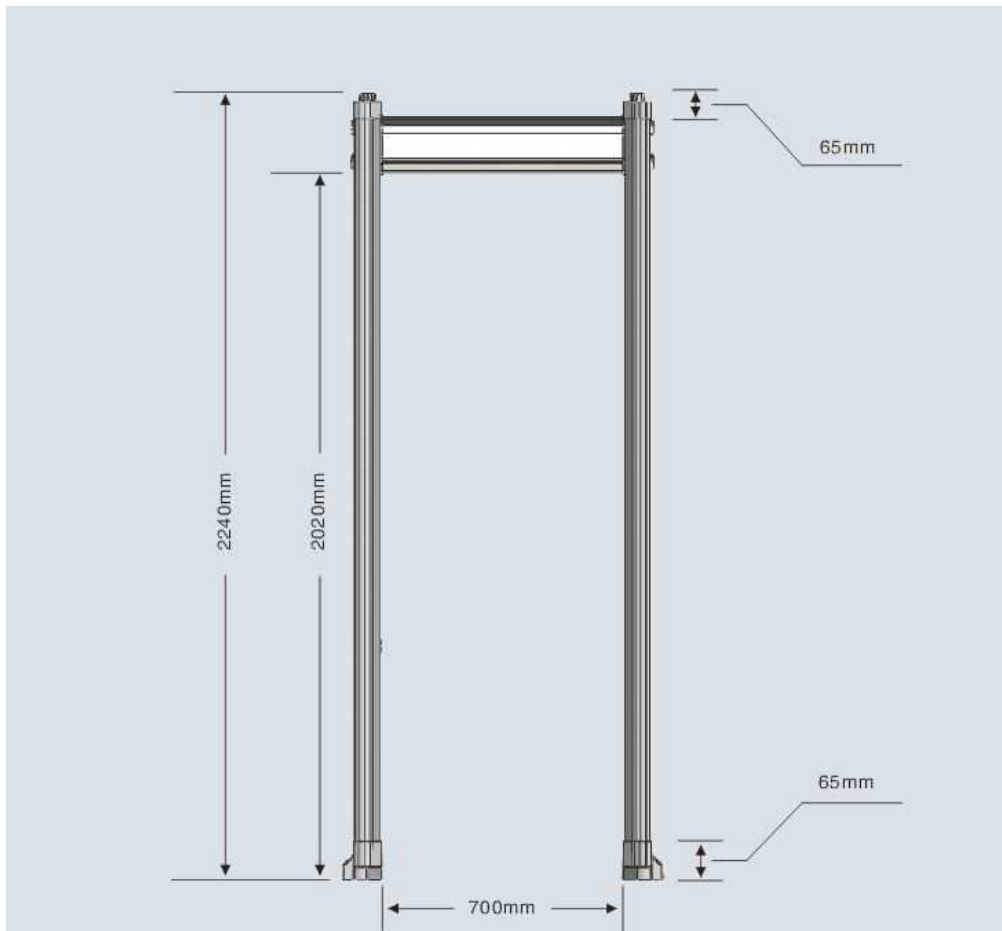
485to 232	
Secondary development port/ upgrade port	●
Count the number of people passing through	●
The function of counting Alarm times	●
Query the number of people in and out	●
Query the total number of historical memory	●
Multi zones detect and alarm at the same time	●
Smart partition function to detect large objects	●
The super brightness SMD double district alarm indicators	/
Super brightness SMD double zones indicator	●
6 alternative operating frequencies	/
8 alternative operating frequencies	●
The alarm sound mute mode settings	●
Alarm sound size adjustable modes	●
Multiple alarm sound selection modes	/
Before and after the unilateral zone alarm indicators	○
The front side zone alarm indicator	/
In front of the bilateral zone alarm indicator	●
Before and after four zones alarm indicator	○
The sensitivity of each detecting zone is adjustable	●
The adjustable sensitivity is 0-150of each zone	●
The adjustable sensitivity is 0-120of each zone	/
Choose the overall safety level of 1-6	/
Choose the overall safety level of 1-10	●
12 independent probes, 6 interactive detecting zones	●
12 independent probes, 12 - 18 interactive detecting zones	/

WTMD-18ZB

2 hours of battery life	<input type="radio"/>
8 hours of battery life	<input type="radio"/>
Restore factory settings	<input checked="" type="radio"/>

Note: The table "●" indicates this configuration, "○" indicates possible option, "/" indicates no such configuration.

Dimensions



WTMD-18ZB

Package and Size

Panel packing size



2290mm(L)x715mm(W)x 200mm(H)

Main box packing size



755mm(L)x 255mm(W)x 435mm(H)